

# Reverse hammer mills KMR

## CRUSHING



Crushers KMR 0808 – coal crushing 2x26t/h



Crusher KMR 0804 – coal crushing 8t/h



Crusher KMR 1824 – coal crushing 350t/h

### Reverse hammer mills

Reverse hammer mills KMR are used for fine and medium crushing of soft and medium hard materials such as limestone, slate, lime, coal and similar materials. They can be used in cement plants for crushing material before ball mills, in desulphurization lines, in producing grit for plaster mixtures, for coal preparation before fluid boilers.

Hammer mills are designed as reverse ones.

The crushing area consists of a quickly rotating rotor and armored crushing plates on both sides of the rotor. In case sticky materials are processed, the crushing plates and inlet tube may be heated with an outer source or heating unit of its own to prevent material depositing in the mill.

The crushing area may also be made up of grate plates. In such a case the crushing area may be closed with a central plate.

The mill can be supplied separately or with a drive on the common flexible frame.

### Main operating properties are:

- high operating reliability
- low cost for operation and maintenance
- easy operation and maintenance
- long service life of main crushing elements
- possibility to heat the crushing area when extremely sticky materials are crushed
- housing opened by hydraulics
- variability of the crushing area
- high degree of comminution

### Main parameters

Type	Inlet opening size mm	Max. inlet piece mm	Capacity t/h	El. motor kW
KMR 0804	380x420	50-75	10-28	37-55
KMR 0808	380x820	50-75	20-55	55-90
KMR 0812	380x1220	50-75	30-60	75-110
KMR 1010	500x1020	50-75	30-70	110-200
KMR 1013	500x1320	50-75	40-90	132-250
KMR 1212	620x1210	60-90	70-130	160-250
KMR 1216	620x1620	60-90	90-175	200-400
KMR 1220	620x2020	60-90	120-220	250-500
KMR 1616	750x1620	80-150	150-300	315-630
KMR 1620	750x2020	80-150	180-380	400-800
KMR 1820	800x1800	100-200	170-440	400-800
KMR 1824	800x2300	100-200	200-550	630-1000
KMR 1828	800x2800	100-200	330-650	630-1400
KMR 2324	1000x2400	120-240	430-860	800-1800
KMR 2328	1000x2800	120-240	500-1000	1000-2200



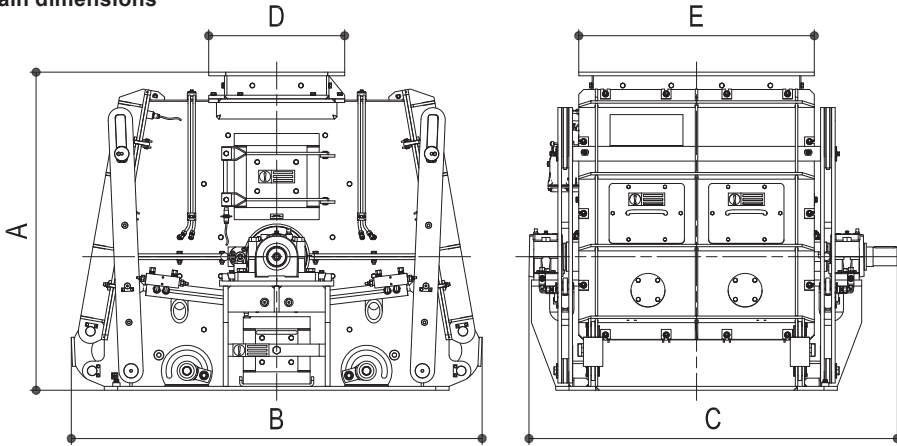
Mill KMR with armored plates



Mill KMR with grate plates

# Reverse hammer mills KMR

Main dimensions



Type	A	B	C	D	E
	mm	mm	mm	mm	mm
KMR 0804	1310	1692	1120	560	670
KMR 0808	1310	1692	1520	560	970
KMR 0812	1310	1692	1950	560	1370
KMR 1010	1650	2182	1200	700	1960
KMR 1013	1650	2182	1500	700	2300
KMR 1212	2050	2625	2215	840	1440
KMR 1216	2050	2625	2650	840	1850
KMR 1220	2050	2625	3100	840	2250
KMR 1616	2400	3200	2900	980	1860
KMR 1620	2400	3200	3300	980	2220
KMR 1820	2650	3500	3340	1080	2230
KMR 1824	2650	3500	3755	1080	2630
KMR 1828	2650	3500	4160	1080	3030
KMR 2324	3450	4600	3900	1250	2640
KMR 2328	3450	4600	4300	1250	3040

## CRUSHING



Crusher KMR 0808 in the manufacturing plant

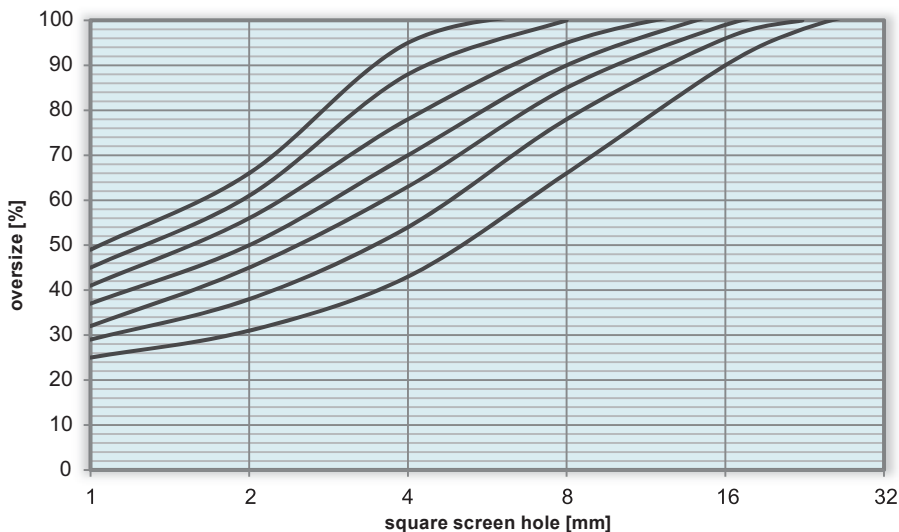


Crushers KMR 0808 – coal crushing 3x14t/h



Crusher KMR 1220 – coal crushing 250t/h

Grain size composition of the product with different crusher adjustment



The product size and KMR mill capacities depend on mechanical properties of material, inlet material size, adjustment of crushing plates, rotor speed and other factors.