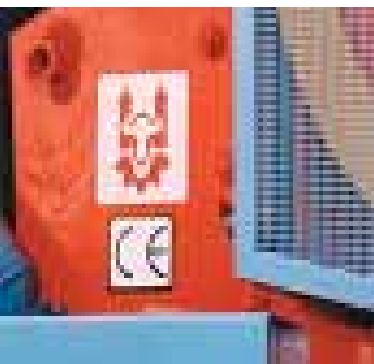


## IMPACT HAMMER CRUSHERS OKD

- high operating reliability
- low costs for operation and maintenance
- simple attendance and maintenance





# Impact hammer crushers OKD

Impact hammer crushers OKD are of a progressive design that combines the advantages of impact crushers with those of hammer crushers. Crushers OKD are predominantly used for single-stage crushing of extracted limestone, dolomite, gypsum,

limestone marl as well as other medium hard materials and materials that contain sticking clays and loams. As a rule, crushers OKD are used in the cement industry where ball mills are part of the grinding plant.

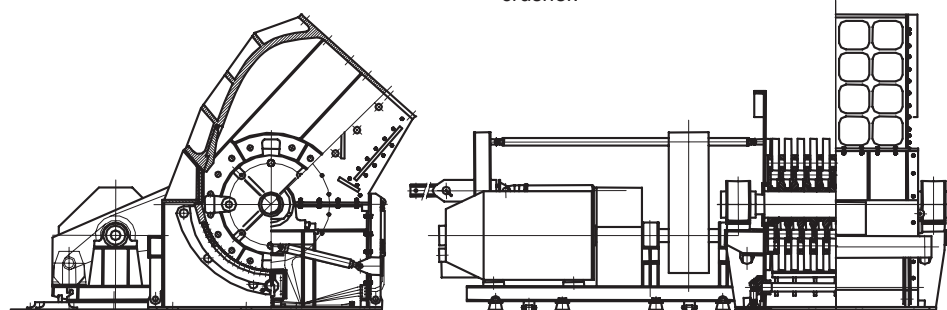
The exceptional operating properties of impact hammer crushers OKD are:

- High operating reliability
- Low cost for operating and maintenance
- Long service life of main crushing elements
- High specific throughput
- Excellent degree of comminution
- Favorable specific electric power consumption
- Favorable grain size distribution of the product
- Capability to crush even materials containing sticky components
- Insensitivity towards non-crushable matters

The rotor of crushers OKD is fitted with

staggered hammers that cover the entire working width of the crusher. This design together with the structural arrangement of the crushing chamber provides a high crushing ratio and has the capacity to process materials that could not be processed in the past.

The grate is the second essential component of the crushing space and limits the use of the crusher with regard to the material stickiness. The grate is designed so that the functional plates act as a safety device when non-crushable matter is trapped into the crushing chamber. Catastrophic failures are minimized when the grate plate breaks. The plate pieces do not come into contact with the rotating hammers, instead, they fall freely into the discharging hopper positioned under the crusher.



Sketch of the impact hammer crusher OKD 1155 with the drive

## Principal parameters

Type	Entrance		Outlet grain size**	Capacity	Length incl. rotor	Width incl. rotor	Height	Power input
	m <sup>3</sup>	mm						
OKD 1150	0.01	300	25	20 - 35	1330	2330 *	1500	30-35
OKD 1151	0.01	300	25	45 - 70	1330	2800 *	1500	55-75
OKD 1152	0.08	600	25	70 - 100	2000	3650 *	2300	100-130
OKD 1153.1	0.25	900	25	130-180	3500	4500	2900	200-250
OKD 1153.2	0.3	900	25	190-250	3700	4700	2900	250-315
OKD 1154	0.5	1200	25	240 - 320	5450	6300	3600	320-500
OKD 1155	0.75	1500	25	370 - 500	5850	9000	4500	500-800
OKD 1156	1	1800	25	550 - 720	6500	9500	5450	1000-1250
OKD 1158	1.2	1800	25	720 - 1100	7200	10100	5400	1400-2000

\* direct drive (optional, the crusher can be supplied with a belt drive)

\*\* 90% into 25mm on the slot of the grate 40 mm.

Stated capacities are only informative and depend on the properties and composition of the crushed material and way of feeding.

## CRUSHING

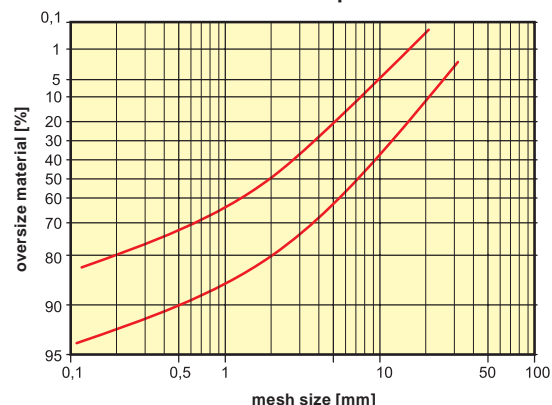


Impact hammer crusher OKD 1155 – cement material crushing



Impact hammer crusher OKD 1155 – tilted part of the housing with the grate

## Grain size distribution of the product



The field between the curves characterizes the crushing ability of machines that depends on the inlet size, the slot of the grate and kind of crushed material.



[www.pspengineering.cz](http://www.pspengineering.cz)

PSP Engineering a.s. is a leading supplier of specialized products and entire processing plants for the building material and mineral processing industries. PSP Engineering has been involved in the design and construction of cement plants, lime works, quarry and crushing plants, as well as gravel and sand pits for more than 50 years.

**PSP Engineering a.s.**  
Kojetinská 3186/79  
750 53 Přerov, Czech Republic  
Tel. + 420 581 232 251, + 420 581 233 414  
Fax : + 420 581 204 955  
e-mail: [info@pspeng.cz](mailto:info@pspeng.cz)  
[www.pspengineering.cz](http://www.pspengineering.cz)

