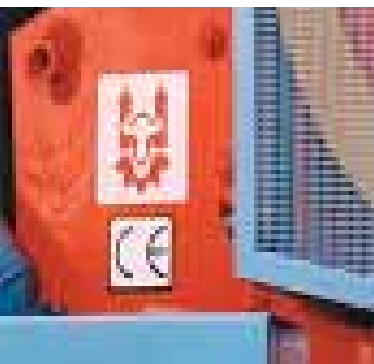




ROLLER CRUSHERS DVZ AND DVR

- high operating reliability
- low costs for operation and maintenance
- simple attendance and maintenance





Roller crushers types DVZ and DVR

CRUSHING



Roller crushing DVZ 50 – slag crushing



Roller crushers DVZ and DVR are predominantly used for crushing of slag from power plants or heating plant boilers. Crushers DVZ and DVR are installed directly behind the slag discharger beneath the boiler. The design of these crushers can be modified for wet or dry slag storage.

Crushers DVZ and DVR operate in humid and dusty environment.

DVZ crushers are teethed roller crushers for primary crushing of slag with material outlet size up to 30 mm.

DVR crushers are equipped with smooth or grooved rollers for a final product of up to 5 mm.

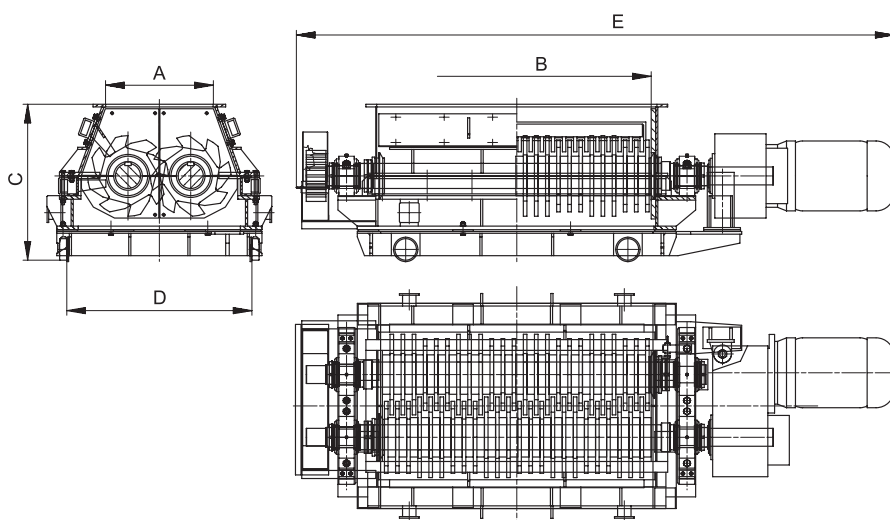
The exceptional operating properties of roller crushers DVZ and DVR are:

- High operating reliability
- Low cost for operating and maintenance
- Simple attendance and maintenance
- Long service life of all main crushing elements
- High specific throughput

Function description

Depending on the outlet grain size of the final product, the raw material passes through the crusher where it is crushed by rotating rollers or rollers with teeth. Crushers DVZ and DVR including the drive are positioned on a traveling undercarriage. The main parts are accessible, which permits simple installation and dismantling.

The crusher is electronically protected against overloading caused by the intrusion of non-crushable matters. The crusher can be equipped with a safety coupling and automatic lubrication system.



Principal dimensions

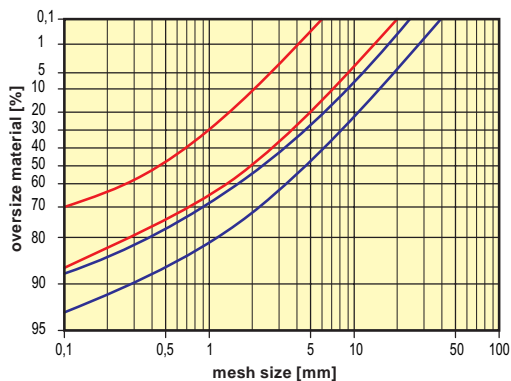
Type	A	B	C	D	E
	mm	mm	mm	mm	mm
DVZ 18	520	680	585	800	2490
DVZ 30	600	1000	870	1290	2840
DVZ 50	600	1500	870	1290	3335
DVR 10	415	698	630	990	2029
DVR 18	415	995	630	990	2330

Principal parameters

Type	Entrance	Max. capacity	Power input
	mm	t/h	kW
DVZ 18	200x250x400	18	11
DVZ 30	300x400x550	30	30
DVZ 50	300x400x800	50	30
DVR 10	100x100x250	10	2x7.5
DVR 18	100x100x250	18	2x7.5

Stated capacities are only informative and depend on the properties and composition of the crushed material and way of feeding.

Grain size distribution of the product of DVZ, DVR



The field between the curves characterizes the crushing ability of machines depending on the inlet size, the slot of the grate and the kind of crushed material.



www.pspengineering.cz

PSP Engineering a.s. is a leading supplier of specialized products and entire processing plants for the building material and mineral processing industries. PSP Engineering has been involved in the design and construction of cement plants, lime works, quarry and crushing plants, as well as gravel and sand pits for more than 50 years.

PSP Engineering a.s.
Kojetinská 3186/79
750 53 Přerov, Czech Republic
Tel. + 420 581 232 251, + 420 581 233 414
Fax : + 420 581 204 955
e-mail: info@pspeng.cz
www.pspengineering.cz

