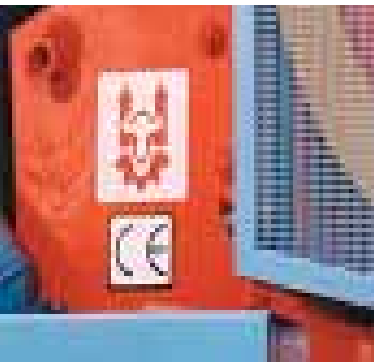


VIBRATING GRATE-PLATE FEEDERS PVR

- high operating reliability
- low costs for operation and maintenance
- simple attendance and maintenance





Vibrating grate-plate feeders PVR

Vibrating grate-plate feeders are used for the continuous feeding of lumpy, grained and bulk materials from the hopper to the working

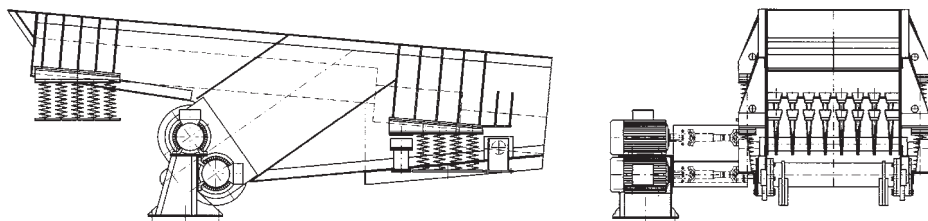
machine or onto subsequent transporting equipment or crushing device. The feeders are suitable for raw material treatment.

The exceptional operating properties of vibrating grate-plate feeders PVR are:

- High operating reliability
- Low cost for operating and maintenance
- High capacity
- Easy exchange of spare parts
- Simple attendance and maintenance

Basic characteristics of vibrating grate-plate feeders

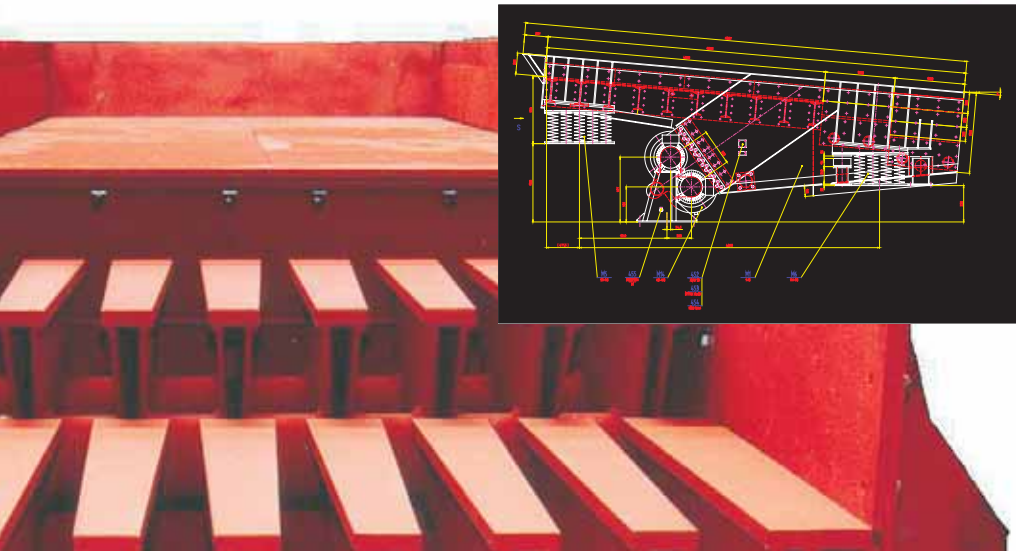
- The grate area of the feeder permits partial screening of undersize grains.
- A frequency converter regulates the capacity by adjusting the electrical motor rotations.
- Easy exchange of the grate plates for adjustment of the slot width.



Principal parameters

Type	Feeder width	Feeder length	Grate area length	Entrance	Capacity	El. motor
	mm	mm	mm	mm	t/h	kW
PVR 1200x6000	1200	6000	2x1000	1000x800x800	400	2x18.5
PVR1400x6000	1400	6000	2x1000	1100x900x900	500	2x18.5
PVR1550x6000	1550	6000	2x1000	1250x1000x1000	600	2x22

The capacity is determined for a material bulk density of 1.6t/m³ and an inclination of the feeder bottom of 5°.



FEEDING



Feeder PVR 1200x6000



Feeder PVR 1550x6000



Feeder PVR 1550x6000



Feeder PVR 1550 x 6000 in the test room in the manufacturing plant



www.pspengineering.cz

PSP Engineering a.s. is a leading supplier of specialized products and entire processing plants for the building material and mineral processing industries. PSP Engineering has been involved in the design and construction of cement plants, lime works, quarry and crushing plants, as well as gravel and sand pits for more than 50 years.

PSP Engineering a.s.
Kojetinská 3186/79
750 53 Přerov, Czech Republic
Tel. + 420 581 232 251, + 420 581 233 414
Fax : + 420 581 204 955
e-mail: info@pspeng.cz
www.pspengineering.cz

